

ELLIS

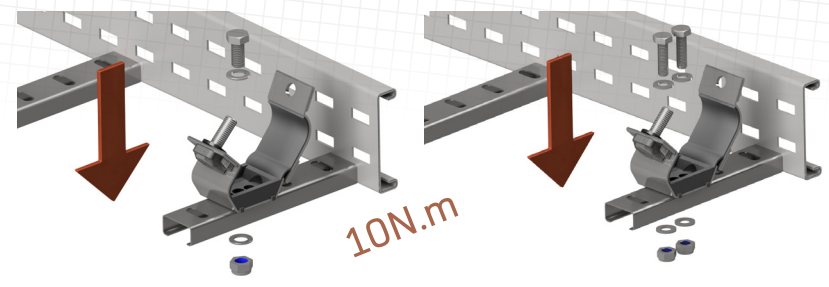
Holding Power

EMPEROR™



INSTALLATION INSTRUCTIONS

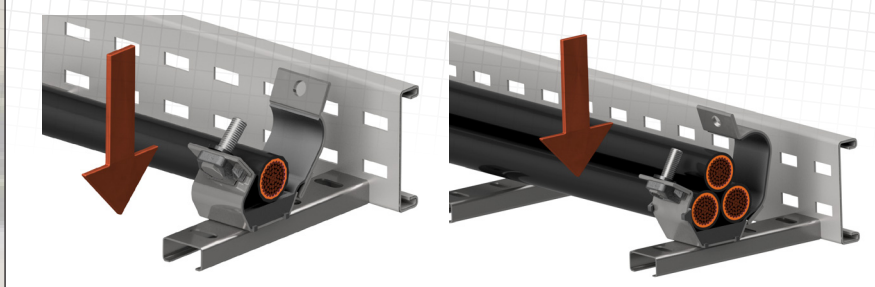
1



MOUNTING

Place the cleat onto the mounting surface and secure.

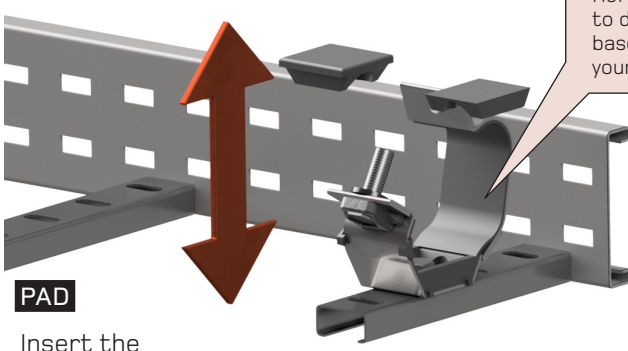
3



LAYING THE CABLE

Lay the cable in the cleat.

2



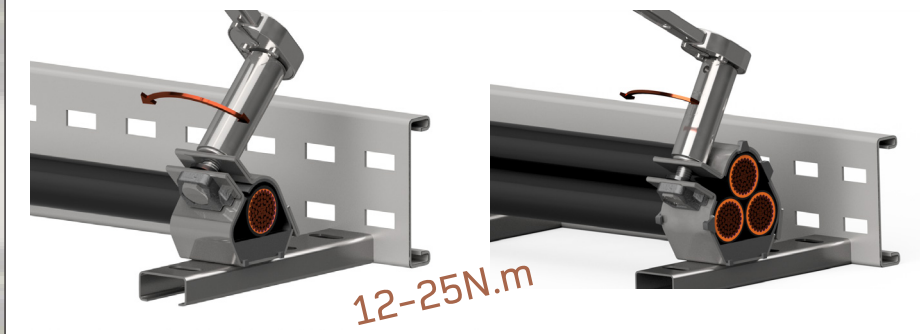
PAD

Insert the appropriate base pad.



Refer to the cleat label to determine the correct base pad, dependant on your cable diameter.

4



SECURING THE CLEAT

Use an 18mm AF tool to tighten the closure fixing.

NOTE: Precaution should be taken to avoid thread galling. See back page for details.

CABLE TORQUE


The appropriate tightening torque of the cleat can be dependent on the cable type. Lower torques are more appropriate for unarmoured cables with soft outer sheaths and higher torques are more applicable for large armoured cables. The table below provides torque guidelines. These figures should be used as a guide only and care should always be taken on site to ensure the cable is not damaged by excessive tightening.

Important: Do not over tighten the cleat. The liner should be in good firm contact with the cable but does not need to be so tight that the cable bulges at either side of the liner. The below torque values are based on 2x MIO base fixings.

CABLE TYPE	SUGGESTED TORQUE
CLASS 5 CONDUCTOR UNARMOURED	12 N.m
DOUBLE INSULATED (UNARMOURED) PVC CABLE	18 N.m
STEEL/ALUMINIUM WIRE ARMoured CABLE	25 N.m
METALLIC SHEATH XLPE HV CABLE	25 N.m

Please note: For heavily lubricated threads torque values may need to be reduced.

Please note: Thread galling is a known phenomenon which can occur when using stainless steel fasteners. A breakdown in the material's protective oxide layer results in the setscrew and nut becoming welded together. To reduce the incidence of thread galling, excessive pressure and speed should be avoided during installation. Thread lubricants can also be used at the point of application. If problems are experienced - please contact Ellis Patents for further information.

 <p>Conduit & cable hardware 4CG8 with AH-2 & wet locations. Listed sizes: ER19-23 to ER82-88.</p> <p>Range listed as follows: ER19-23 to ER119-128 & ES32-39 to ES127-150</p>	<p>Mounting orientation: Horizontal or Vertical.</p>
	<p>UL bolt torque values:</p> <p>ER33-38: 44 lbf-in</p>
	<p>ES58-66: 88 lbf-in</p> <p>Note: UL bolt torque values may not represent the most ideal bolt torque setting for your cable.</p>