

ELLIS

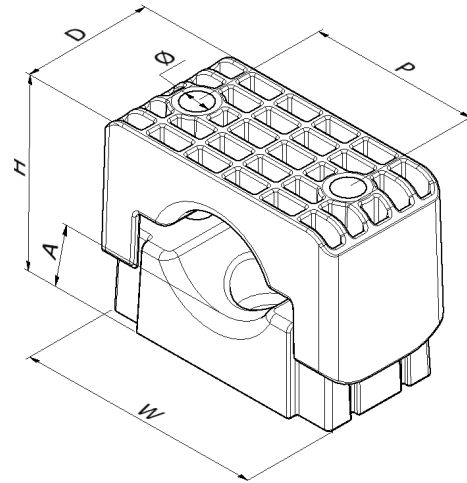
Holding Power

DATA SHEET

SOLUS CLAMP

DESIGN REG NUMBER: D030165EM

- RANGE ACOMODATES $\phi 19$ - $\phi 75$ MM CABLES
- SUITABLE FOR INDOOR AND OUTDOOR USE
- SHORT CIRCUIT AND MECHANICALLY TESTED IN ACCORDANCE TO IEC 61914
- SINGLE OR TWIN BOLT FIXING OPTIONS
- MANUFACTURED IN A HIGH STRENGTH HEAT STABILISED LOW SMOKE ZERO HALOGEN GLASS REINFORCED POLYAMIDE MATERIAL OR NON GLASS REINFORCED POLYMER

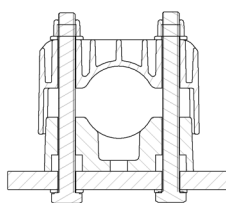


PART NO.	CABLE RANGE		LINER SIZE (mm)	CABLE RANGE WITH LINER		DIMENSIONS						AXIAL LOAD (KN)		LATERAL LOAD - HORIZONTAL (KN)		LATERAL LOAD - VERTICAL (KN)		WEIGHT (g)
	MIN ϕ (mm)	MAX ϕ (mm)		MIN ϕ (mm)	MAX ϕ (mm)	W	H	D	A	P	ϕ	SINGLE FIXING	TWIN FIXING	SINGLE FIXING	TWIN FIXING	SINGLE FIXING	TWIN FIXING	
SL25-38GFN	25	38	3	19	32	100	80	60	24	60	M12	0.9	1.2	4	5	6.5	10	285
SL36-52GFN	36	52	3	30	46	116	95	60	24	75	M12	1.2	1.8	4	5.5	6	10	356
SL49-75GFN	49	75	3	43	69	138	124	60	26	95	M12	1.6	1.6	4	10	6.5	9	485
SL25-38LSF	25	38	3	19	32	100	80	60	24	60	M12	1.1	1.3	6.5	7	10	25	232
SL36-52LSF	36	52	3	30	46	116	95	60	24	75	M12	1.1	1.8	6	8	9	25	287
SL49-75LSF	49	75	3	43	69	138	124	60	26	95	M12	1.1	1.1	6	8	10.5	26	395

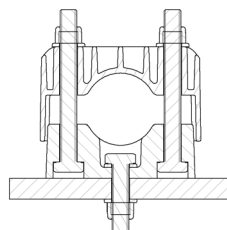
NOTE: FOR CLAMP WITH LINER ADD 'L' SUFFIX E.G. SL25-38GFNL



POLYMERIC LINER CAN BE SUPPLIED



TWIN FIXING



SINGLE FIXING



ELLIS PATENTS LTD.

www.ellispatents.co.uk

ISSUE 04 29/03/23

1 / 2

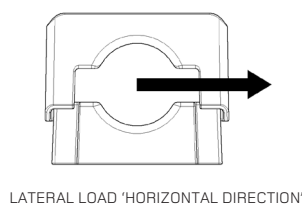
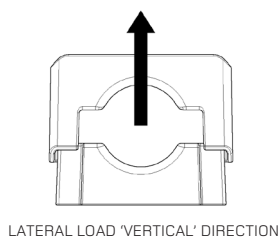
TESTING SUMMARY

Solus Clamps have been tested in line with the International Standard 'Cable Cleats for Electrical Installations' IEC 61914:2021. Typical results are detailed below, please note that these testing values are maximums and safety factors appropriate to your application should be used:

PROPERTY	CLASSIFICATION CLAUSE IEC 61914	UNITS / CLASSIFICATION	TEST DATA	
			LSF	GFN
CLEAT TYPE	6.1.2	NON-METALLIC	-	
TEMP. FOR PERMANENT APPLICATION	6.2	°C	-60 to +60	-60 to +120
IMPACT RATING	6.3.5	VERY HEAVY	PASS	
FLAME PROPAGATION TEST	10.0, 10.1	FLAME PROPAGATION TEST ≥30S	PASS	
AXIAL LOAD (KN)	6.4.3, 9.4	NEWTONS (N)	SEE TABLE ON PAGE 1	SEE TABLE ON PAGE 1
HORIZONTAL - 2250N VER- TICAL -2250N	6.4.2, 9.3	NEWTONS (N)	SEE TABLE ON PAGE 1	SEE TABLE ON PAGE 1
RESISTANCE TO ELECTROMECHANICAL FORCE (SHORT CIRCUIT TESTING)	6.4, 6.4.5, 9.5	CLEATS AT 300MM INTERVALS (WITHSTANDING MORE THAN ONE SHORT CIRCUIT)	157kA (REPORT No. PDL- 22.079.02) CABLE OD = ϕ 35mm PHASE SPACING = 125mm	164kA (REPORT No. PDL-22.079.01) CABLE OD = ϕ 35mm PHASE SPACING = 125mm

NOTE: THE WITH LINER VERSION HAS A LOWER RATING TO THE STANDARD VERSION AS FOLLOWS:

- 1) TEMPERATURE RANGE OF -60 TO +85 °C
- 2) AXIAL PERFORMANCE LOWER THAN STANDARD VERSION, CONTACT ELLIS FOR DETAILS.



PRODUCT CAN BE STACKED FLAT USING HEX RECESS
ON BASE OF PRODUCT - REFER TO INTSALLATION
INSTRUCTIONS

This data sheet is subject to change without notice. The information provided has been generated in laboratory conditions, as such results in use may vary.