

# ELLIS

Holding Power

## DATA SHEET

## CENTAUR

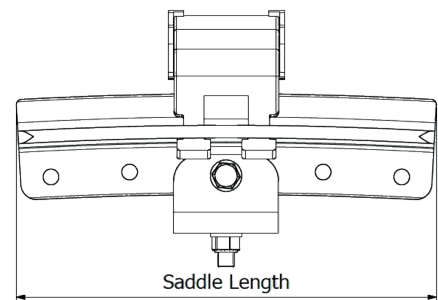
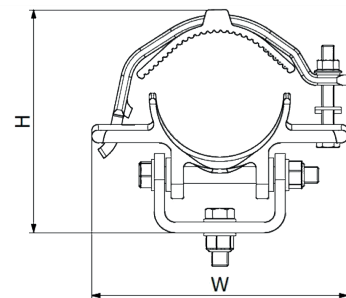
Community Design Registration No. 000749999

Patent No. UK Patent App No. 0805128.6

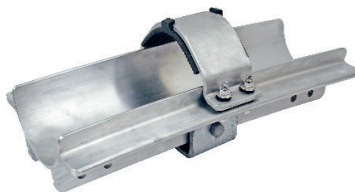
European Patent No. 1973211

US Patent No. 8398033

- CURVED SADDLE CLEAT TO SUIT SAGGED CABLE INSTALLATIONS
- PIVOT POINTS ALLOW THE SADDLE TO PARTIALLY ROTATE UP AND DOWN AND LEFT TO RIGHT ACROSS ITS LENGTH
- HINGED CABLE STRAP EASE INSTALLATION
- CABLE ROLLERS CAN BE POSITIONED AT THE ENDS OF THE SADDLE FOR CABLE PULLING AS AN OPTIONAL EXTRA
- SHORT CIRCUIT AND MECHANICALLY TESTED IN LINE WITH IEC 61914



PART NO.	CABLE RANGE		DIMENSIONS (mm)			
	MIN $\phi$ (mm)	MAX $\phi$ (mm)	W	H	SADDLE LENGTH	BASE FIXING TYPE
CS100-112	100	112	244	205	400, 600 or 800	1 x M16
CS108-122	108	122	244	212	400, 600 or 800	1 x M16
CS120-132	120	132	244	221	400, 600 or 800	1 x M16
CS128-142	128	142	244	233	400, 600 or 800	1 x M16
CS140-152	140	152	272	240	400, 600 or 800	1 x M16
CS148-162	148	162	272	253	400, 600 or 800	1 x M16



# ELLIS

Holding Power

## DATA SHEET

## CENTAUR

### TESTING SUMMARY

Centaur cable saddles have been tested in line with the International Standard 'Cable Cleats for Electrical Installations' As IEC 61914 is part of the low voltage directive it is not possible to follow the standard exactly and thus deviations have been made in areas. Typical results are detailed below, please note that these testing values are maximums and safety factors appropriate to your application should be used:

PROPERTY	CLASSIFICATION CLAUSE IEC 61914	UNITS / CLASSIFICATION	TEST DATA
CLEAT TYPE	6.1.3	COMPOSITE	-
TEMP. FOR PERMANENT APPLICATION	6.2	°C	-40 - 60
UV RESISTANCE	6.5.1.2	UV RESISTANT	METALLIC FRAME SHIELDS ALL POLYMER COMPONENTS.
CORROSION RESISTANCE	6.5.2.2	REFER TO ELLIS	-
IMPACT RATING	6.3.5	VERY HEAVY	PASS
FLAME PROPAGATION TEST	10.0, 10.1	APPLICATION TIME $\geq 30s$	PASS
AXIAL LOAD RATING	6.4.3, 9.4	NEWTONS (N)	REFER TO ELLIS
LATERAL LOAD RATING	6.4.2, 9.3	NEWTONS (N)	REFER TO ELLIS
RESISTANCE TO ELECTROMECHANICAL FORCE (SHORT CIRCUIT TESTING)	6.4, 6.4.4, 9.5		163kA (REPORT No. KEMA-313-08)

#### PROJECT SPECIFIC DESIGNS:

Centaur can be adapted to suit specific project requirements, as such Ellis can alter the design to suit certain load or functionality requirements. Please contact Ellis for further details.



Conduit & cable hardware 4CG8 with  
AH-2 & wet locations. Listed sizes:  
CS148-162:400 and CS148-162:800

This data sheet is subject to change without notice. The information provided has been generated in laboratory conditions, as such results in use may vary.

ELLIS PATENTS LTD.

[www.ellispatents.co.uk](http://www.ellispatents.co.uk)

ISSUE 02 27/01/23

2 / 2