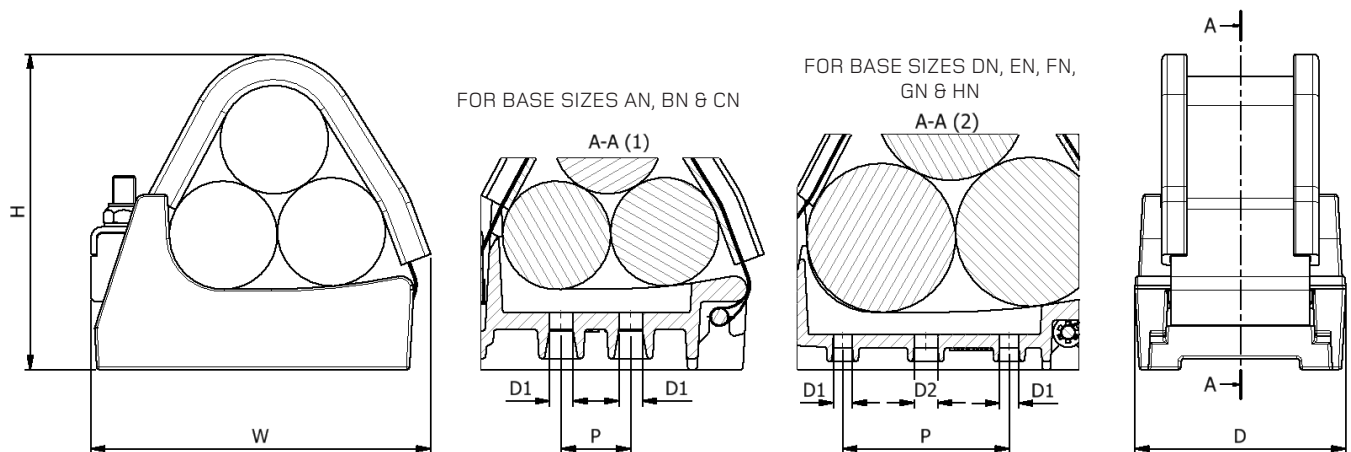
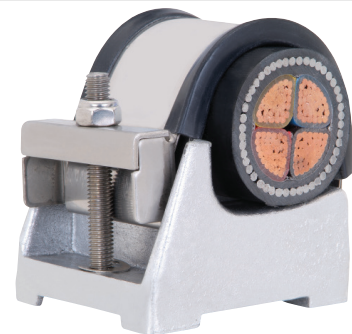


- 316L STAINLESS STEEL STRAP AND FIXINGS WITH A CAST ALUMINIUM BASE
- CAPTIVE CLOSURE FIXINGS FOR FAST INSTALL
- MULTI-CABLE BUNDLE OPTIONS AVAILABLE ON REQUEST
- SHORT CIRCUIT AND MECHANICALLY TESTED TO IEC 61914



TESTING SUMMARY

Vari-Cleat has been tested in line with the International Standard 'Cable Cleats for Electrical Installations' IEC 61914:2015. Typical results are detailed below, please note that these testing values are maximums and safety factors appropriate to your application should be used:

PROPERTY	CLASSIFICATION CLAUSE IEC 61914	UNITS / CLASSIFICATION	TEST DATA LINERED	TEST DATA NO LINER
CLEAT TYPE	6.1.3	COMPOSITE	-	-
TEMP. FOR PERMANENT APPLICATION	6.2	°C	-40 - 60	-40 - 90
IMPACT RATING	6.3.4	VERY HEAVY	PASS	PASS
FLAME PROPAGATION TEST	10.0, 10.1	APPLICATION TIME $\geq 30s$	PASS	N/A
AXIAL LOAD RATING	6.4.3, 9.4	NEWTONS (N)	REFER TO ELLIS	
LATERAL LOAD RATING	6.4.2, 9.3	NEWTONS (N)	REFER TO ELLIS	
RESISTANCE TO ELECTROMECHANICAL FORCE (SHORT CIRCUIT TESTING)	6.4, 6.4.5, 9.5	CLEATS AT 300MM INTERVALS (WITHSTANDING MORE THAN ONE SHORT CIRCUIT)	110kA (REPORT No. PDL-18.071.3) (PART NO. - VC-BN4-BN0) CABLE OD= $\varnothing 36mm$	

ELLIS

Holding Power

DATA SHEET

VARI-CLEAT

PART NO.	CABLE RANGE SINGLE WITH LINER		DIMENSIONS (mm)				FIXING HOLES (D1 & D2)	WEIGHT (g)
	TREFOIL	SINGLE	W	H	D	P		
VC-AN1-XXX	19-22	31-38	82	80	74	25	2 x M8	373
VC-AN2-XXX	21-24	36-43	82	84	74	25	2 x M8	373
VC-AN3-XXX	23-26	39-46	83	88	74	25	2 x M8	373
VC-AN4-XXX	25-29	44-51	86	92	74	25	2 x M8	373
VC-BN1-XXX	27-31	46-54	97	94	74	25	2 x M8	430
VC-BN2-XXX	29-33	50-58	97	97	74	25	2 x M8	430
VC-BN3-XXX	30-36	55-63	100	101	74	25	2 x M8	430
VC-BN4-XXX	33-38	59-68	104	105	74	25	2 x M8	430
VC-CN1-XXX	35-40	63-71	117	105	76	25	2 x M8	490
VC-CN2-XXX	37-42	67-76	117	109	76	25	2 x M8	490
VC-CN3-XXX	39-45	71-80	118	115	76	25	2 x M8	490
VC-CN4-XXX	42-47	76-86	124	121	76	50	2 x M8	490
VC-DN1-XXX	47-51	81-91	138	126	78	50	2 x M8 + 1 x M10	610
VC-DN2-XXX	49-54	86-95	141	132	78	50	2 x M8 + 1 x M10	610
VC-DN3-XXX	52-57	91-100	147	138	78	50	2 x M8 + 1 x M10	610
VC-DN4-XXX	55-60	96-106	153	144	78	75	2 x M8 + 1 x M10	610
VC-EN1-XXX	58-62	100-107	163	147	80	75	2 x M8 + 1 x M10	730
VC-EN2-XXX	61-66	106-113	167	154	80	75	2 x M8 + 1 x M10	730
VC-EN3-XXX	64-69	113-120	174	160	80	75	2 x M8 + 1 x M10	730
VC-EN4-XXX	67-73	120-127	181	167	80	75	2 x M8 + 1 x M10	730
VC-FN1-XXX	69-74	120-135	187	170	82	90	3 x M12	880
VC-FN2-XXX	72-78	128-140	194	177	82	90	3 x M12	880
VC-FN3-XXX	76-82	134-147	201	185	82	90	3 x M12	880
VC-FN4-XXX	80-86	143-155	210	193	82	90	3 x M12	880
VC-GN1-XXX	82-89	140-155	217	197	82	114	3 x M12	970
VC-GN2-XXX	86-93	150-165	225	205	82	114	3 x M12	970
VC-GN3-XXX	90-97	160-175	233	213	82	114	3 x M12	970
VC-GN4-XXX	94-101	170-185	240	221	82	114	3 x M12	970
VC-HN1-XXX	96-104	165-185	247	229	84	136	3 x M12	1170
VC-HN2-XXX	100-108	175-195	255	237	84	136	3 x M12	1170
VC-HN3-XXX	104-112	185-200	263	245	84	136	3 x M12	1170
VC-HN4-XXX	108-116	195-210	271	252	84	136	3 x M12	1170

SUFFIX 1

B - Lined

SUFFIX 2 (CAST BASE FINISH)

N - Natural
P - Polyester Black
K - Kevlar

SUFFIX 3

0 - Standard Holes

PART NO. EXAMPLE:

VC-CN2 WITH A LINER AND NATURAL BASE FINISH = VC-CN2-BN0

This data sheet is subject to change without notice. The information provided has been generated in laboratory conditions, as such results in use may vary.

ELLIS PATENTS LTD.

www.ellispatents.co.uk

ISSUE 02 07/09/22

2 / 2