

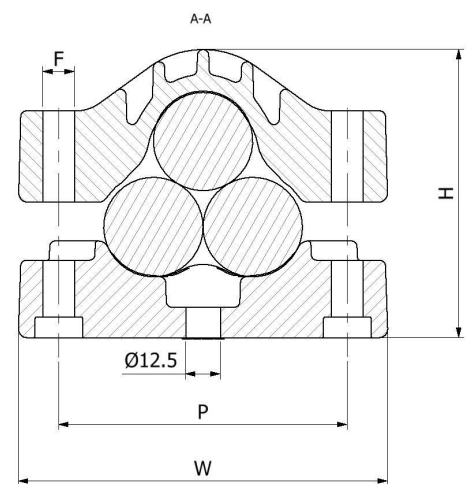
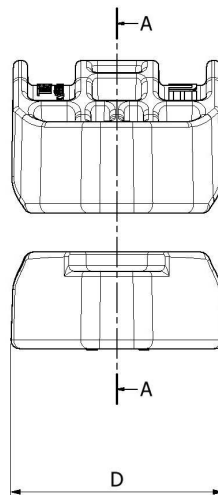
ELLIS

Holding Power

DATA SHEET

TRIDENT

- MANUFACTURED IN HIGH STRENGTH GLASS FILLED NYLON (GFN) OR LOW SMOKE & FUME (LSF) NYLON
- SINGLE OR TWO BOLT CLEAT FIXING OPTIONS
- SHAPING OF THE CLEAT ENSURES CABLES ARE HELD IN A TREFOIL FORMATION ACROSS THE RANGE
- SHORT CIRCUIT AND MECHANICALLY TESTED TO IEC 61914



GFN PART NO.	LSF PART NO.	CABLE RANGE		DIMENSIONS (mm)					GFN WEIGHT (g)	LSF WEIGHT (g)
		MIN Ø (mm)	MAX Ø (mm)	W	H	D	P	F		
TR24-29GFN	TR24-29LSF	24	29	122	91	77	92.5	M10	360	288
TR27-32GFN	TR27-32LSF	27	32	126	95	77	98.5	M10	370	296
TR30-36GFN	TR30-36LSF	30	36	134	104	77	104.5	M10	383	306
TR34-41GFN	TR34-41LSF	34	41	144	112	77	114.5	M10	485	388
TR39-47GFN	TR39-47LSF	39	47	156	124	77	125	M12	568	454
TR45-54GFN	TR45-54LSF	45	54	172	138	77	145	M12	666	533
TR52-62GFN	TR52-62LSF	52	62	190	153	77	160	M12	793	634
TR60-72GFN	TR60-72LSF	60	72	215	177	98	182	M12	1100	880
TR69-83GFN	TR69-83LSF	69	83	238	198	98	205	M12	1300	1040

ELLIS

Holding Power

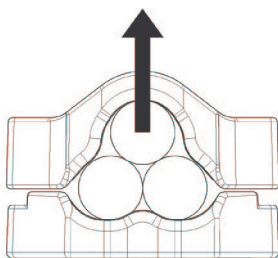
DATA SHEET

TRIDENT

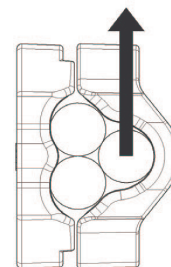
TESTING SUMMARY

Trident Cleats have been tested in line with the International Standard 'Cable Cleats for Electrical Installations' IEC 61914:2021. Typical results are detailed below, please note that these testing values are maximums and safety factors appropriate to your application should be used:

PROPERTY	CLASSIFICATION CLAUSE IEC 61914	UNITS / CLASSIFICATION	GFN TEST DATA	LSF TEST DATA
CLEAT TYPE	6.1.2	NON-METALLIC	-	-
TEMP. FOR PERMANENT APPLICATION	6.2	°C	-40 - +120	-60 to +60
UV RESISTANCE	6.5.1.2	XENON ARC METHOD A	PASS	PASS
CORROSION RESISTANCE	6.5.2	N/A	N/A	N/A
IMPACT RATING	6.3.5	VERY HEAVY/HEAVY	PASS	HEAVY
FLAME PROPAGATION TEST	10.0, 10.1	APPLICATION TIME $\geq 30s$	PASS	PASS
AXIAL LOAD RATING	6.4.3, 9.4	NEWTONS (N)	1100	1500
LATERAL LOAD RATING	6.4.2, 9.3	NEWTONS (N)	HORIZONTAL - 2,250N VERTICAL -2,250N	HORIZONTAL - 2,250N VERTICAL -2,250N
RESISTANCE TO ELECTROMECHANICAL FORCE (SHORT CIRCUIT TESTING)	6.4, 6.4.5, 9.5	CLEATS AT 300MM INTERVALS (WITHSTANDING MORE THAN ONE SHORT CIRCUIT)	134kA (REPORT No. PDL-18.071.6) CABLE OD= Ø36mm	121kA (REPORT No. PDL-22.159.2) CABLE OD= Ø36mm
RESISTANCE TO ELECTROMECHANICAL FORCE (SHORT CIRCUIT TESTING)	6.4, 6.4.5, 9.5	CLEATS AT 600MM INTERVALS (WITHSTANDING MORE THAN ONE SHORT CIRCUIT)	94kA (REPORT No. PDL-18.071.5) CABLE OD= Ø36mm	N/A



LATERAL LOAD 'VERTICAL' DIRECTION



LATERAL LOAD 'HORIZONTAL DIRECTION'

This data sheet is subject to change without notice. The information provided has been generated in laboratory conditions, as such results in use may vary.

ELLIS PATENTS LTD.

www.ellispatents.co.uk

ISSUE 03 18/08/23

2 / 2